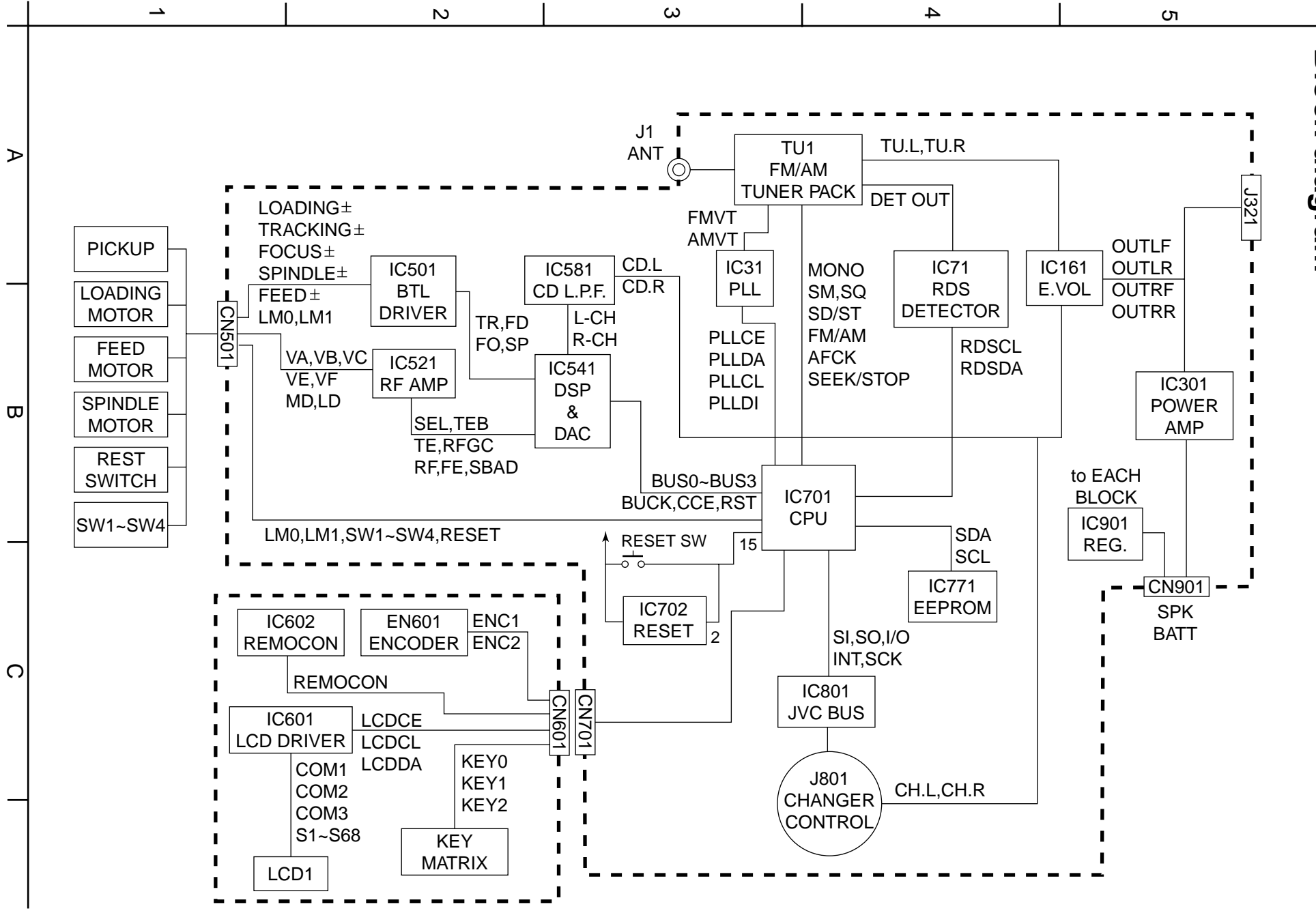


Block diagram



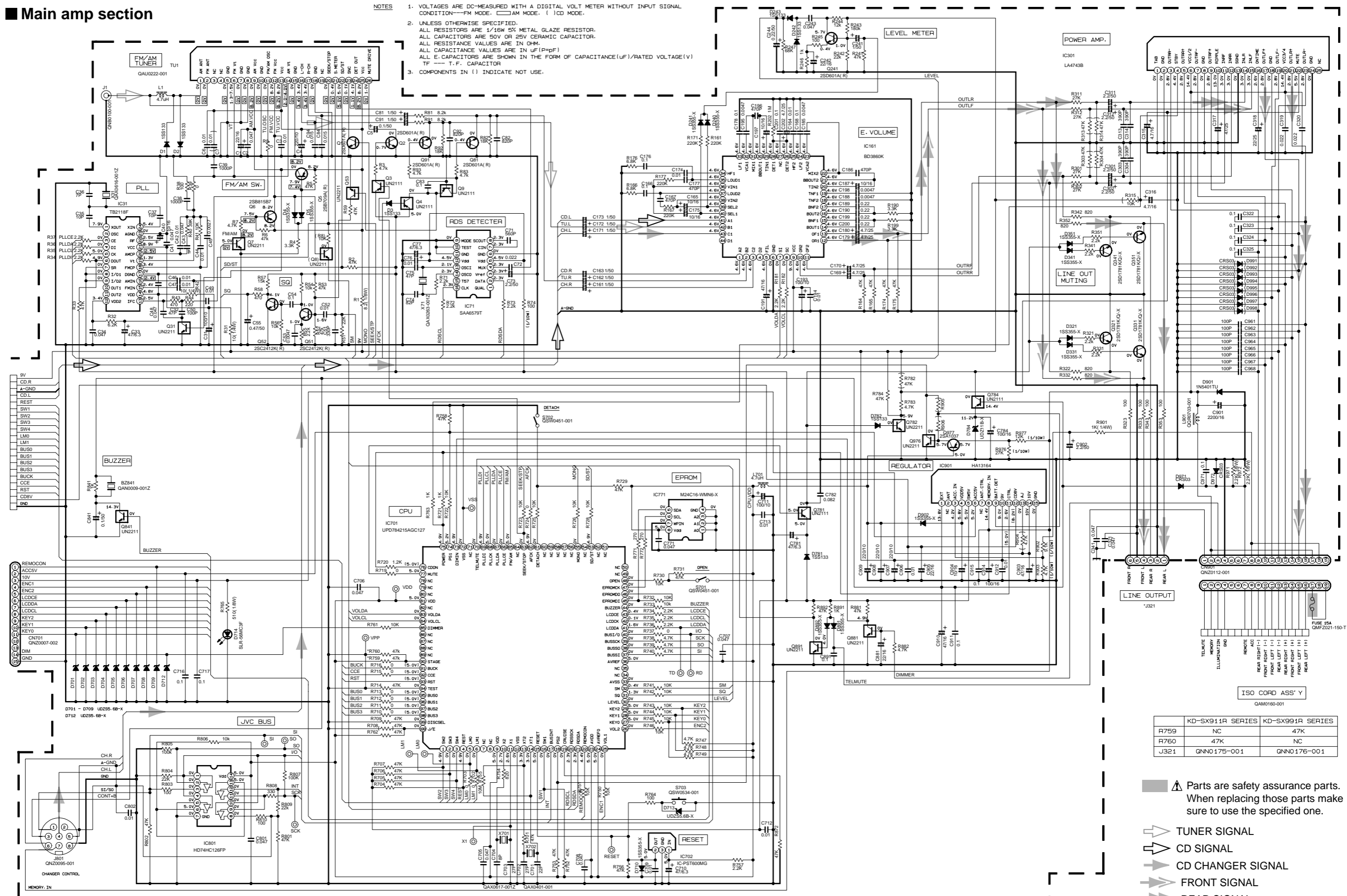
< M E M O >

Standard schematic diagrams

Main amp section

- NOTES
1. VOLTAGES ARE DC-MEASURED WITH A DIGITAL VOLT METER WITHOUT INPUT SIGNAL CONDITION—FM MODE. □ AM MODE. () CD MODE.
 2. UNLESS OTHERWISE SPECIFIED, ALL RESISTORS ARE 1/16W 5% METAL GLAZE RESISTOR. ALL CAPACITORS ARE 50V OR 25V CERAMIC CAPACITOR. ALL RESISTANCE VALUES ARE IN OHM. ALL CAPACITANCE VALUES ARE IN uF(P=pF) TF = T.F. CAPACITOR
 3. COMPONENTS IN () INDICATE NOT USE.

5
4
3
2
1

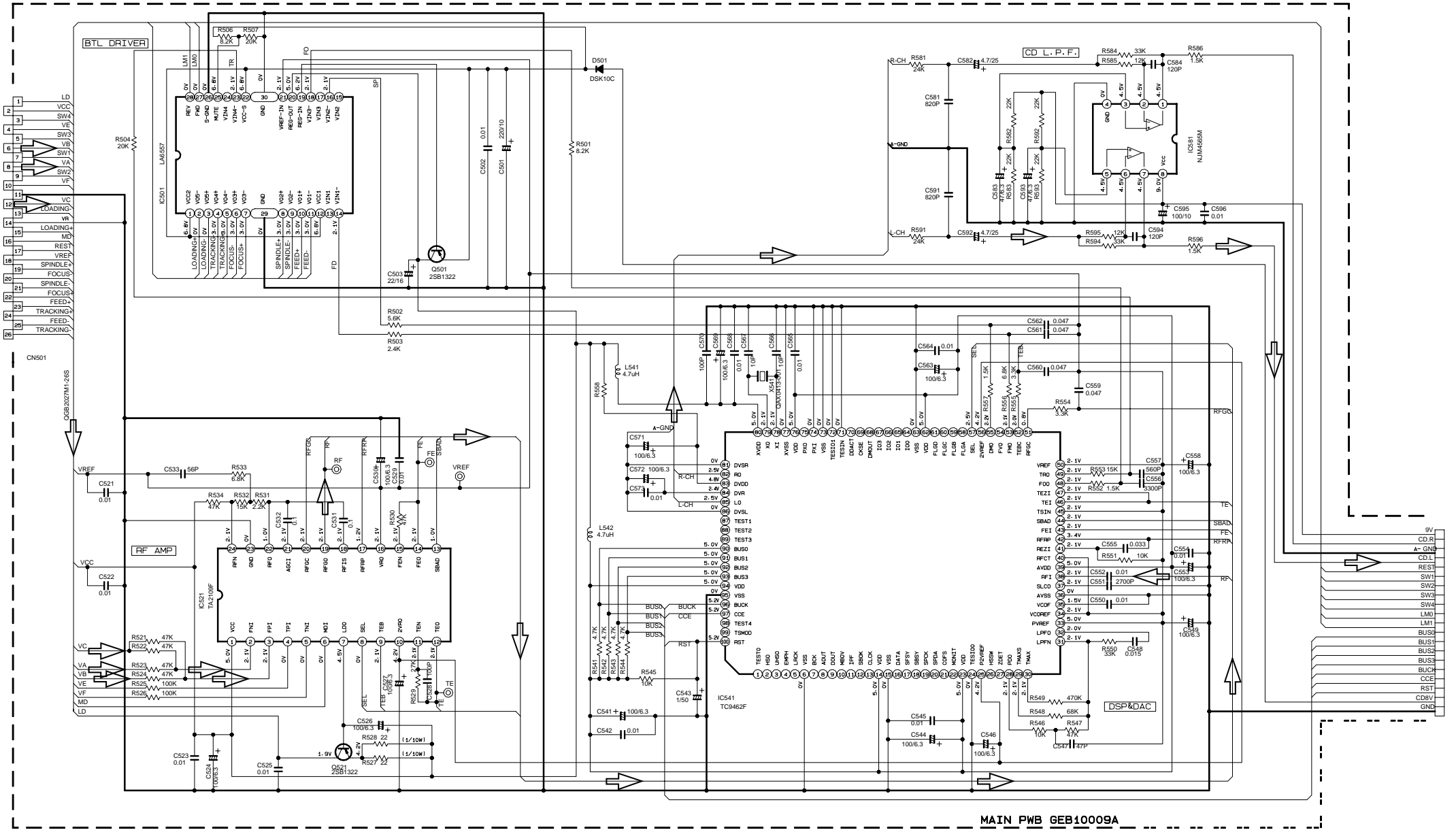
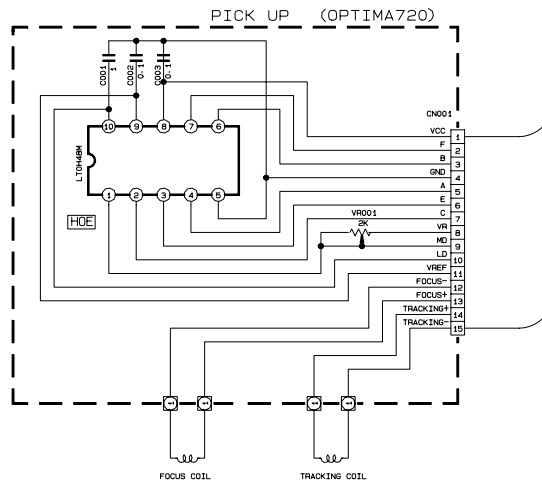
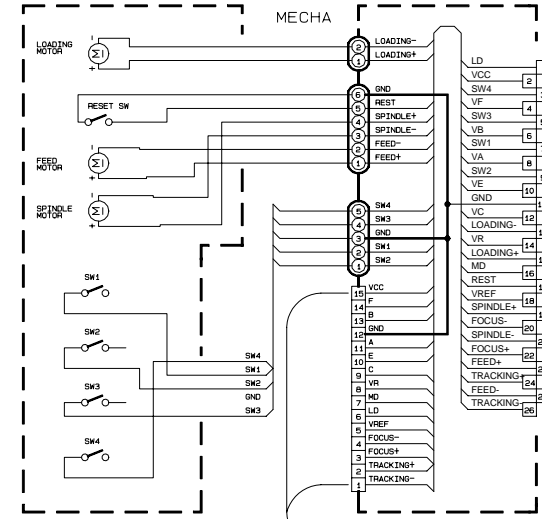


	KD-SX911R SERIES	KD-SX991R SERIES
R759	NC	47K
R760	47K	NC
J321	GNN0175-001	GNN0176-001

- ▲ Parts are safety assurance parts. When replacing those parts make sure to use the specified one.
- TUNER SIGNAL
- CD SIGNAL
- CD CHANGER SIGNAL
- FRONT SIGNAL
- REAR SIGNAL

CD servo control section

5
4
3
2
1

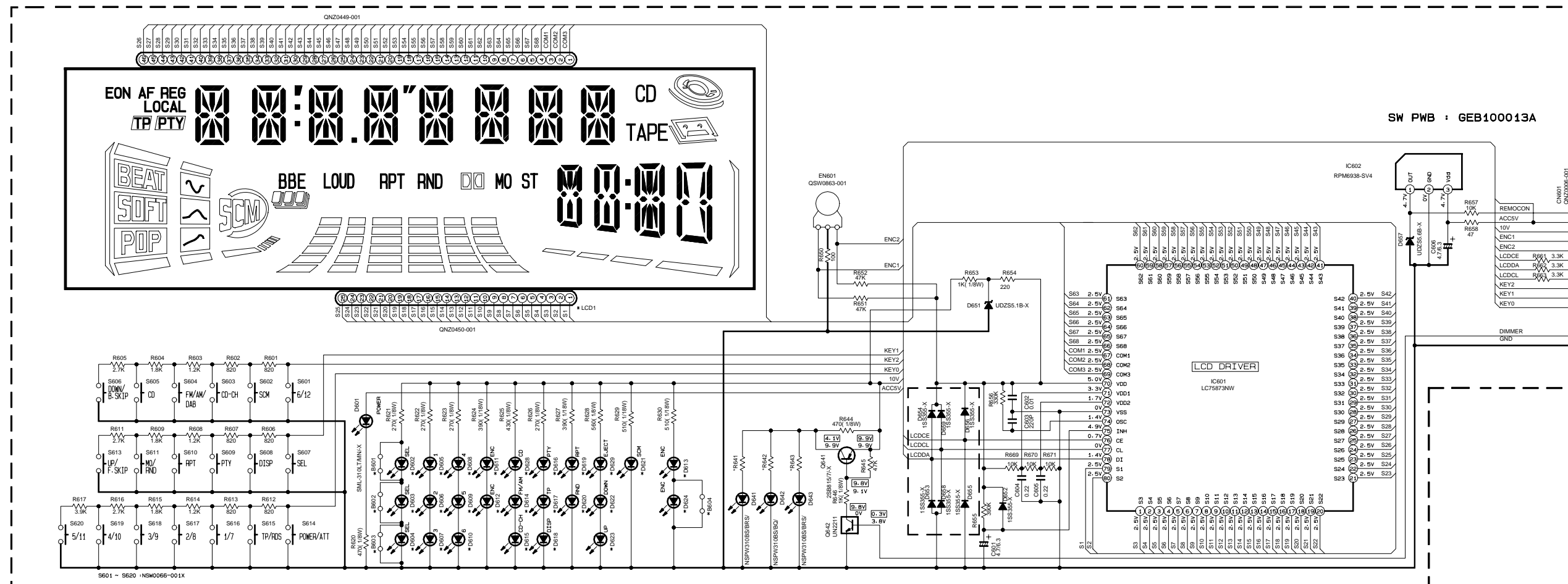


CD SIGNAL

- NOTES
1. VOLTAGES ARE DC-MEASURED WITH A DIGITAL VOLT METER WITHOUT INPUT SIGNAL CONDITION---CD MODE.
 2. UNLESS OTHERWISE SPECIFIED, ALL RESISTORS ARE 1/16W 5% METAL GLAZE RESISTOR. ALL CAPACITORS ARE 50V OR 25V OR 16V CERAMIC CAPACITOR. ALL RESISTANCE VALUES ARE IN OHM. ALL CAPACITANCE VALUES ARE IN uP (P=pF). ALL CAPACITORS ARE SHOWN IN THE FORM OF CAPACITANCE(uP)/RATED VOLTAGE(V). T --- T.S.E CAPACITOR

■ LCD & Key control section

	KD-SX991R SERIES	KD-SX911R SERIES
LCD1	GLD0163-001	GLD0164-001
D602 . . D618	SML-310VT/JK/-X	SML-310VT/JK/-X
D619	SML-310VT/JK/-X	SML-310VT/JK/-X
D620	SML-310VT/JK/-X	SML-310VT/JK/-X
D621	LNJ30BGB1/1-3/-X	LNJ30BGB1/1-3/-X
R641	NRS181J-471X	NRS181J-102X
R642	NRS181J-471X	NRS181J-102X
R643	NRS181J-471X	NRS181J-102X
SWITCHBOARD	OPEN-SWPCB-4	OPEN-SWPCB-12



5

4

3

2

1

A

B

C

D

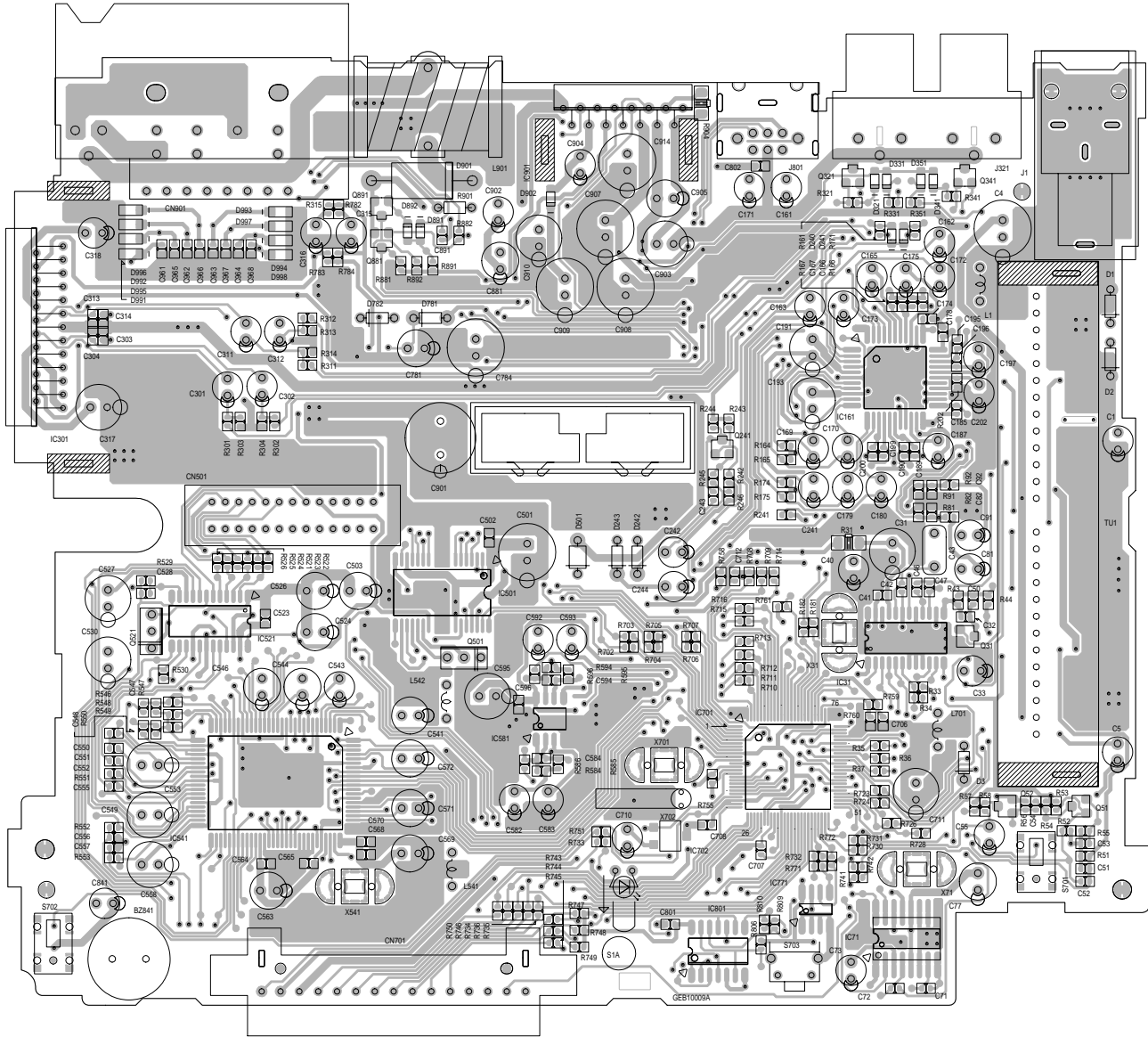
E

F

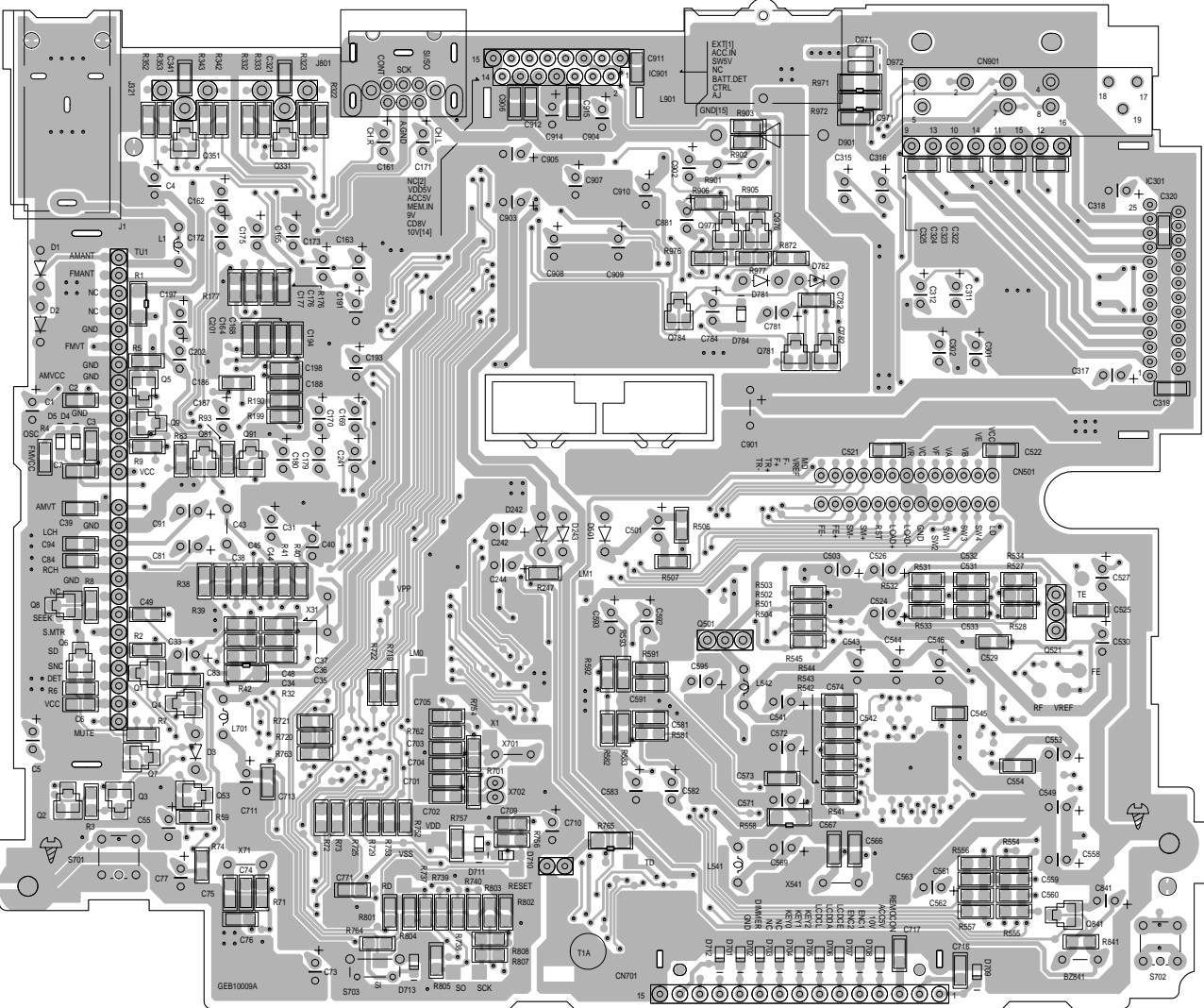
G

Printed circuit boards

■ Main board (Forward side)

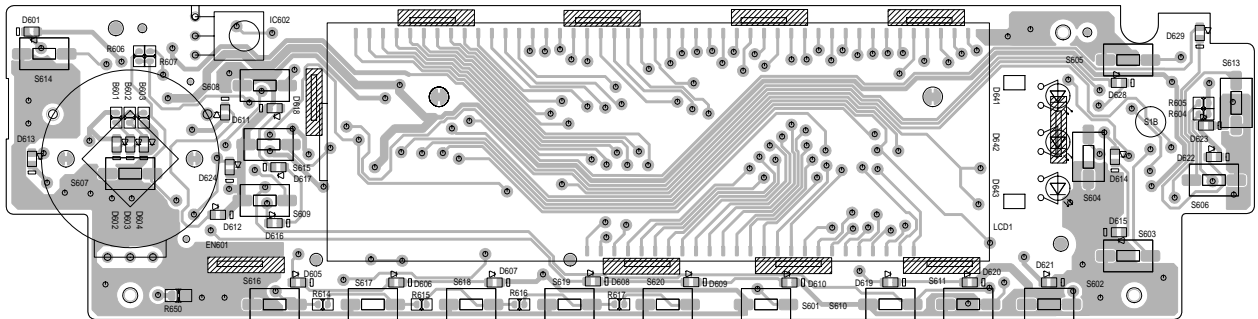


■ Main board (Reverse side)

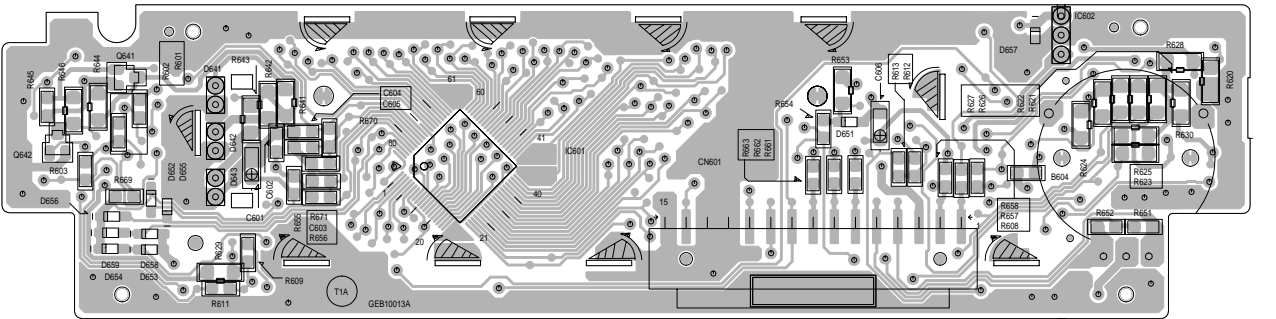


Note:tr/p/jes/pwsmkd991/1009mo
KD-SX991R/KD-SX911R

■ Switch board (Forward side)



■ Switch board (Reverse side)



Note:tr/p/jes/pwsskd991/10013mo
KD-SX991R/KD-SX911R

5

4

3

2

1

A

B

C

2-6

D

E

F

G

H